

NO. 2-2-B CATCH BASIN (SINGLE)

BASIN: ODOT STANDARD NO. 2-2-B PRECAST CATCH BASIN.
CASTING: "NEENAH" NO. R-4859-C. TYPE 'A' GRATE.
ALTERNATE CASTING: "EAST JORDAN" NO. 5110. TYPE M3 GRATE.

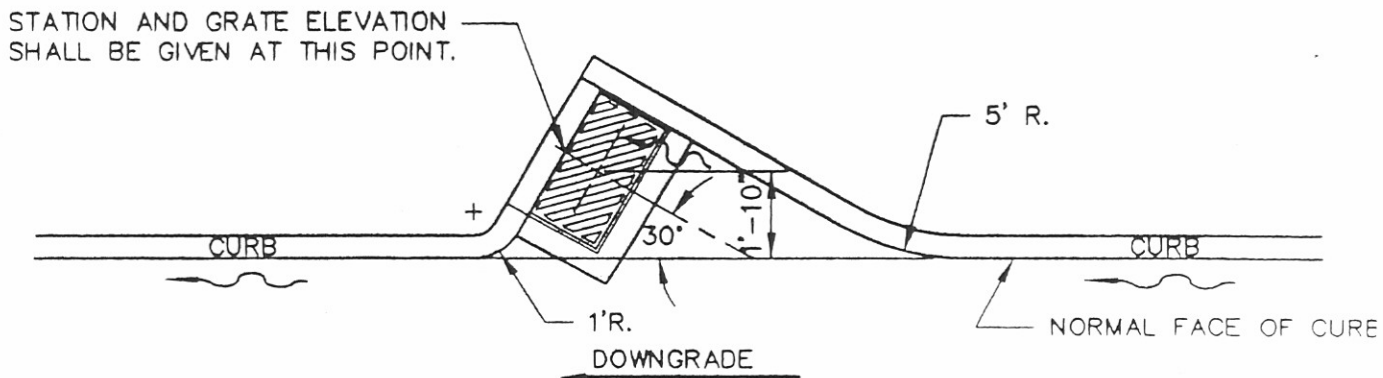
NO. 3A CATCH BASIN (CURB-SINGLE)

BASIN: ODOT STANDARD NO. 3A PRECAST CATCH BASIN.
CASTING: "NEENAH" NO. R-3289-C WITH CURB PLATE AND "DR" OR "DL" GRATE.
ALTERNATE CASTING: "EAST JORDAN" NO. 7350 WITH CURB PLATE AND
TYPE M2 DIAGONAL BAR GRATING.

NO. 3 CATCH BASIN (CURB-DOUBLE)

BASIN: ODOT STANDARD NO. 3 PRECAST CATCH BASIN.
CASTINGS: (2) "NEENAH" R-3288-E2 WITH 2 PIECE GRATE AND CURB PLATE.
PROVIDE "DR" OR "DL" GRATES.
ALTERNATE CASTINGS: "EAST JORDAN" NO. 7355 WITH CURB PLATE AND
TYPE M2 DIAGONAL BAR GRATING.

STANDARD CATCH BASIN SPECIFICATIONS



NOTES:

CASTINGS AND CONCRETE BASIN TO BE ODOT STANDARD 3A CATCH BASIN. CONCRETE APRON SHALL BE MODIFIED TO INCLUDE ALL THE AREA FROM NORMAL CURB LINE TO THE FACE OF CURB. PAYMENT FOR ALL LABOR AND MATERIALS SHALL BE INCLUDED IN UNIT PRICE BID PER STANDARD 3A CATCH BASIN, AND SHALL BE PERFORMED AS DIRECTED BY THE ENGINEER.

HILLSIDE CATCH BASIN DETAIL

CITY OF NEW PHILADELPHIA	STANDARD CONSTRUCTION DRAWING NO.
CATCH BASIN STANDARDS FOR PAVED CURB AREAS	SD-130 REV. 3-99