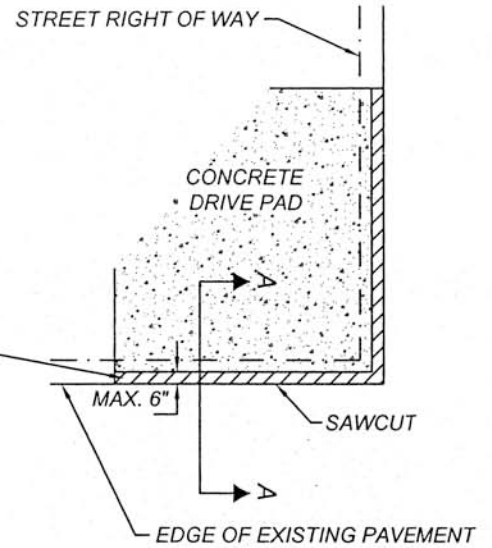
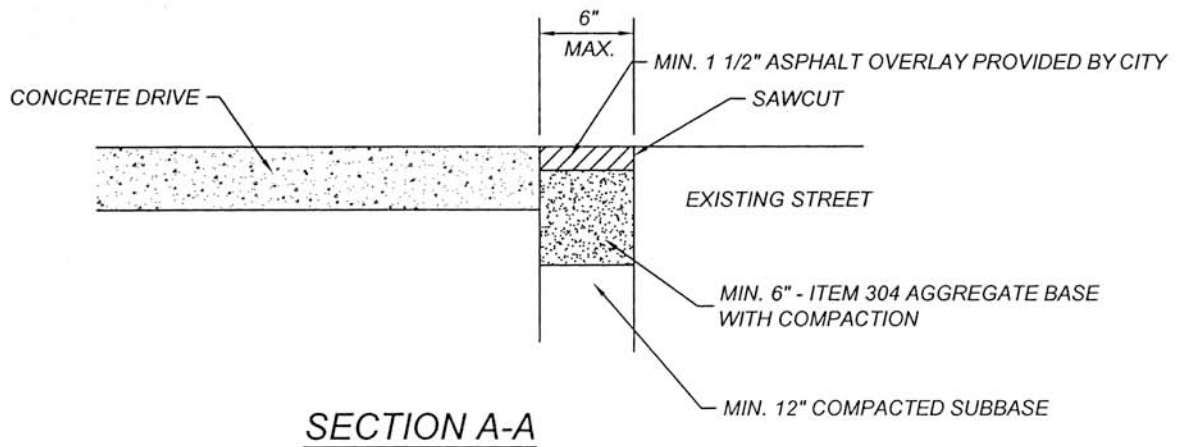


PLAN VIEW
TYPICAL STREET



PLAN VIEW
ALLEY OR AREAS WITH NO CURB STRIP



NOTE: TRIM RAGGED EDGES ON OLD ASPHALT TO PROVIDE A SUBSTANTIALLY STRAIGHT LINE JOINT BETWEEN OLD AND NEW ASPHALT SURFACES.

CITY OF NEW PHILADELPHIA

DRIVEWAY / STREET TRANSITION DETAIL

STANDARD
CONSTRUCTION
DRAWING NO.

SD-18

5-2012