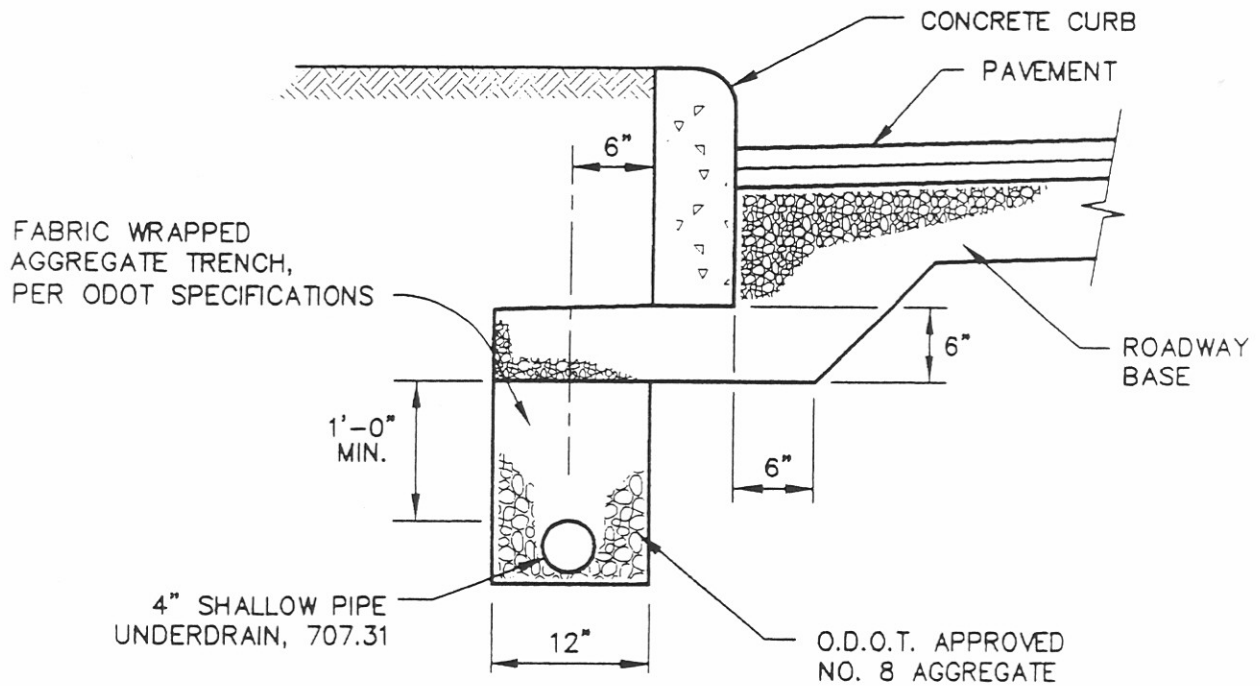


WITH TYPE-2 OR TYPE 2-A CURB



WITH TYPE 6 CONCRETE CURB

NOTE: MATERIALS & METHODS OF INSTALLATION IN ACCORDANCE WITH LATEST EDITION OF O.D.O.T. "CONSTRUCTION AND MATERIALS SPECIFICATIONS" ITEM 605. TRANSITION UNDERDRAIN DEPTH TO OUTLET AS REQUIRED.

CITY OF NEW PHILADELPHIA	STANDARD CONSTRUCTION DRAWING NO.
4" PIPE UNDERDRAIN DETAILS	SD-21 REV. 11-97