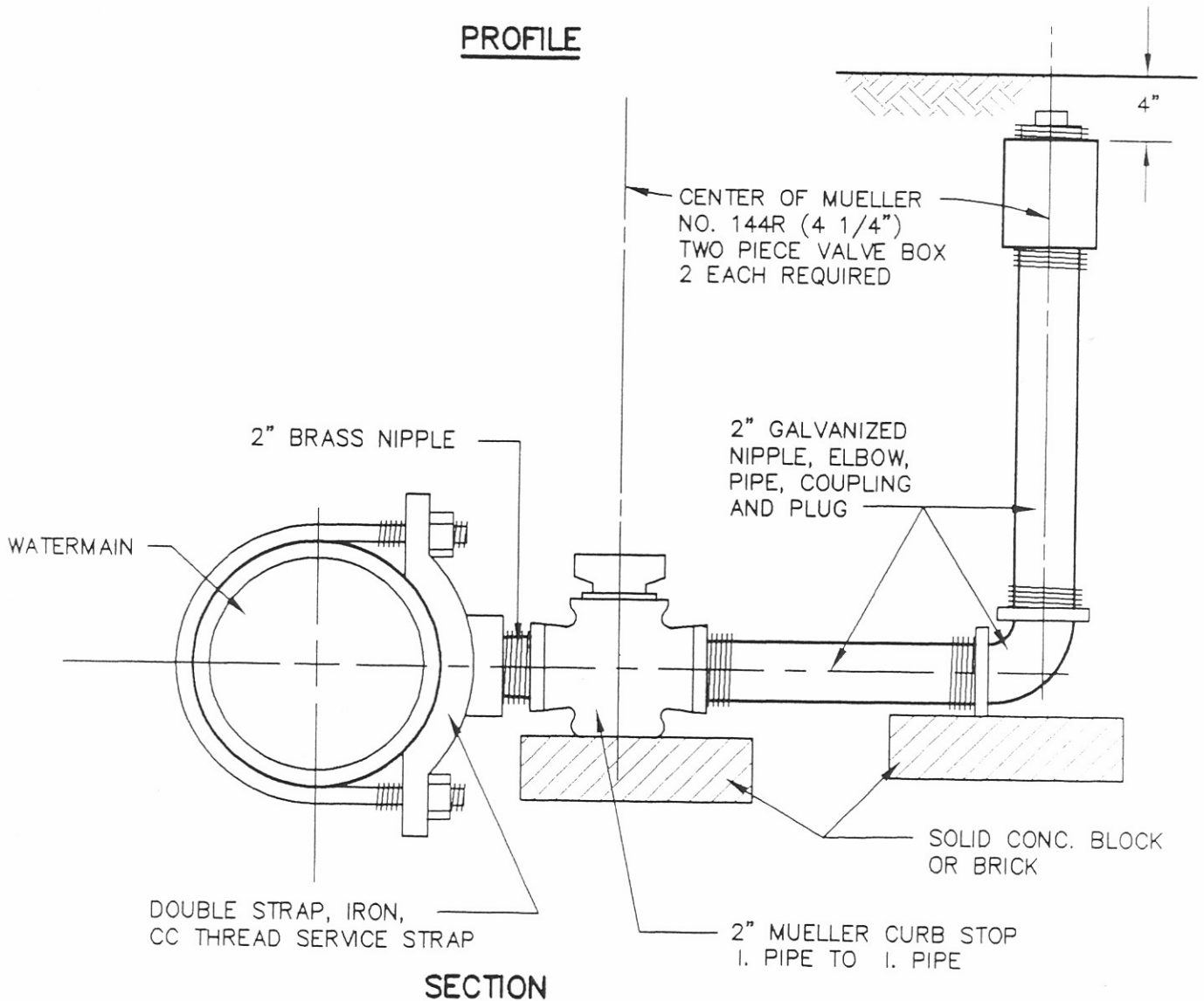


**PROFILE**



**SECTION**

CITY OF NEW PHILADELPHIA		STANDARD CONSTRUCTION DRAWING NO. <b>SD-150</b> REV. 11-92
BLOW-OFF ASSEMBLY		